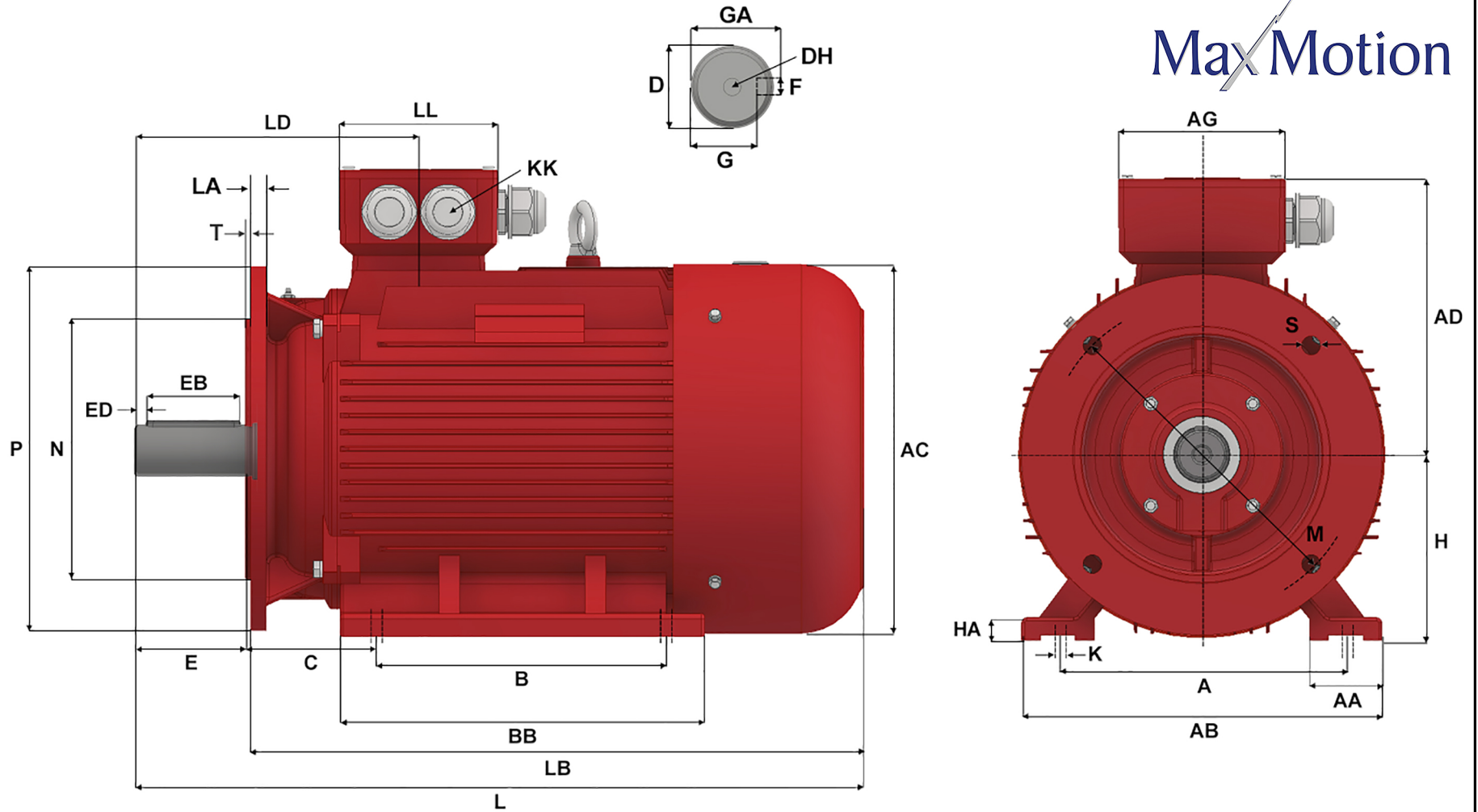


MaxMotion



Version: 1JLEM		Revised: 09-11-2019		HP	RPM	FRAME	ENCLOSURE	IJC180L-6-B35								
Customer is responsible in determining that Max Motion product will fit/perform suitably in the intended application								20	1178	180L	TEFC					
A	B	C	D	E	F	G	H	K	L	M	N	P				
279	279	121	48	110	14	42.5	180	4 - \varnothing 14.5	690	300	250	350				
S	T	AA	AB	AC	AD	AG	BA	BB	DH	EB	ED	GA				
18.5	5	70	349	355	267	162	0	349	M16 X 36	90	10	51.5				
HA	KK (1)	KK (2)	KK (3)	LA	LB	LD	LL									
22	M40 X 1.5	1" NPT	M16 X 1.5	15	580	271	152									